

ExpandaMull® Ordering Form

Project Name: _____

Contractor Information:

Ship To Address: _____

Name: _____

Email: _____

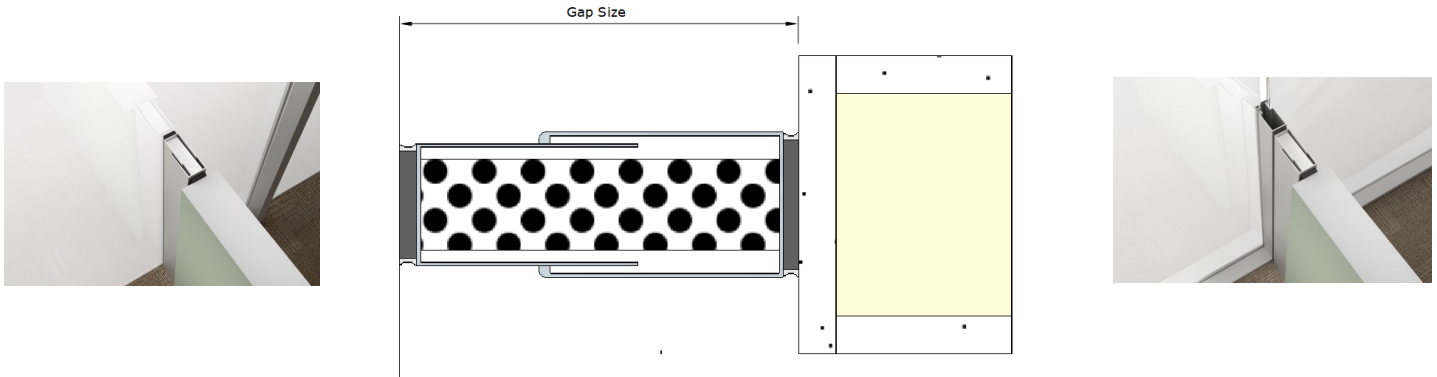
Project Architect: _____

Phone: _____

Delivery Date: _____

Contact for Delivery and Phone #: _____

email to marianne@mullitoverproducts.com



Quantity _____

Gap Size (circle one)

2-3/4" to 3-3/4"

5" to 7-1/2"

3-3/4" to 5"

7-1/2" to 11"

Length (circle one)

6 Foot

8 Foot

10 Foot

12 Foot

Finish (circle one)

Mill Finish (for field painting)

Clear Anodized

Color Anodized

Custom Paint Finish