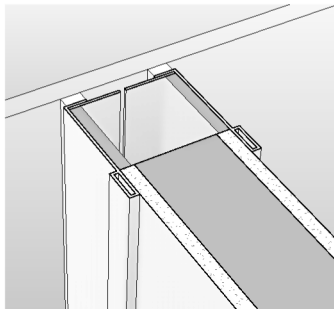
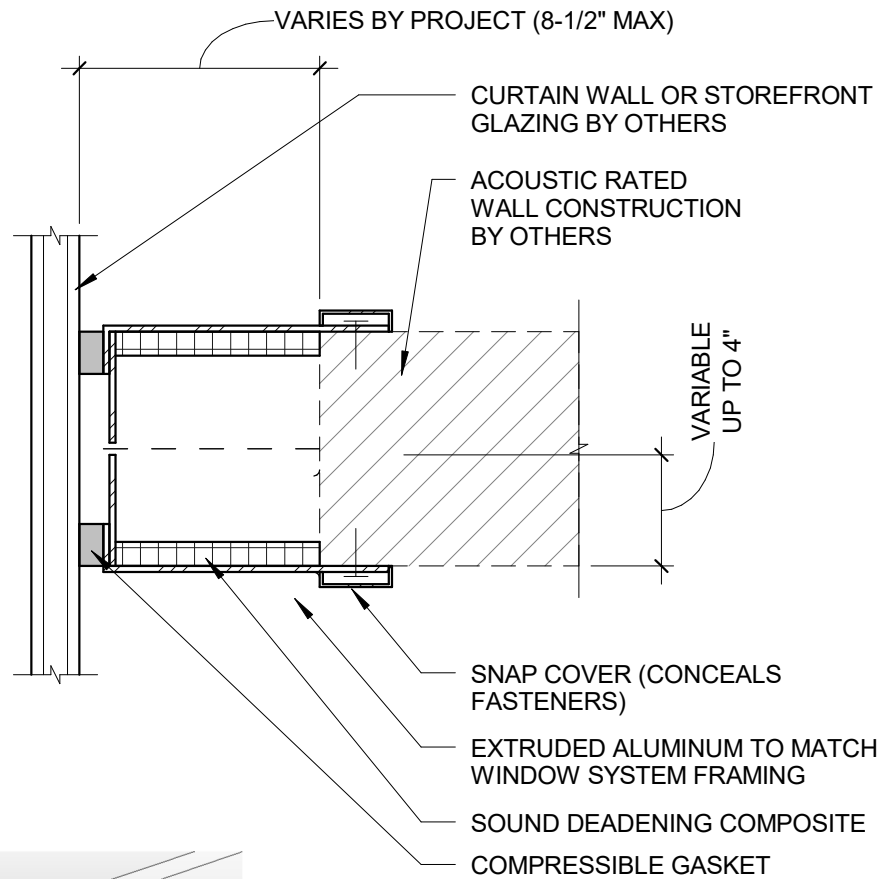


MULL(it)OVER



3D VIEW

NOTE:

FOR LO-RISE CONSTRUCTION ONLY.
CONTACT MULL IT OVER FOR MORE
INFORMATION

60 WIDE (AT NO WINDOW MULLION)

SCALE: 3" = 1'-0"

MULL IT OVER PRODUCTS
(616) 730-2162

www.mullitoverproducts.com
info@mullitoverproducts.com

Patent No. 8,572,914 & 8,782,977