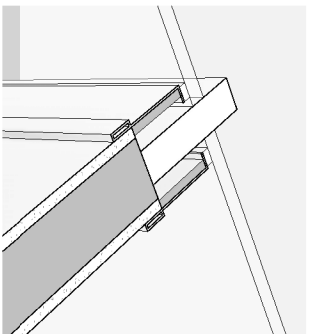
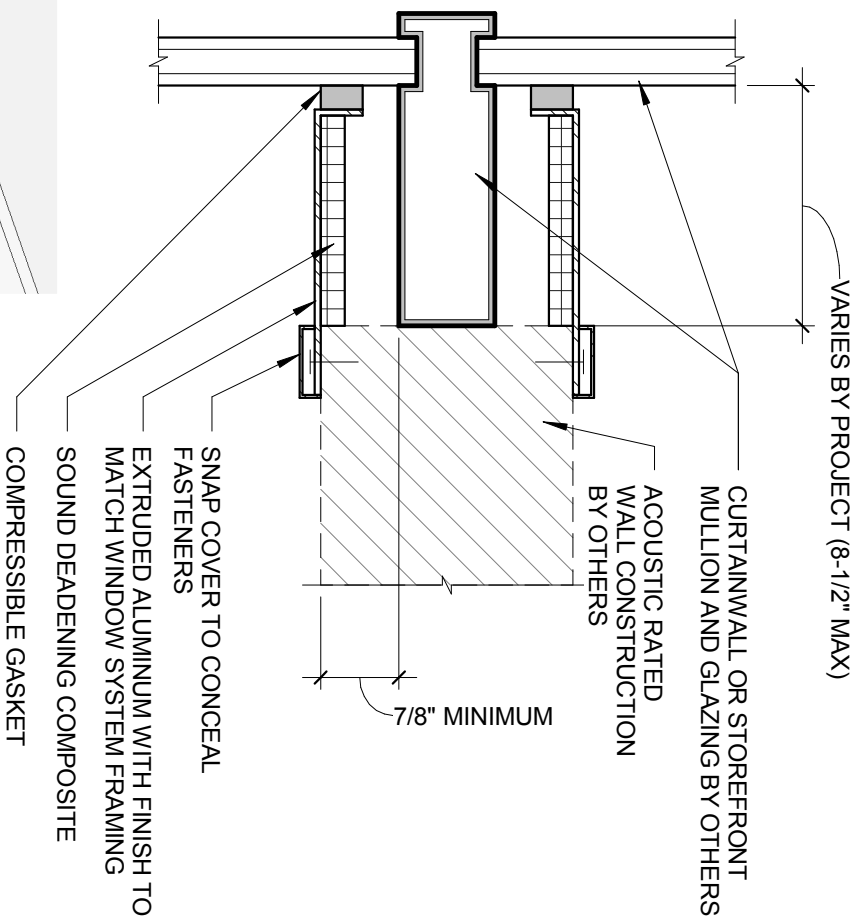


# MULLITCOVER



3D VIEW

## **60 CLASSIC**

SCALE: 3" = 1'-0"

MULLITCOVER PRODUCTS  
(616) 730-2162

[www.mullitcoverproducts.com](http://www.mullitcoverproducts.com)  
[info@mullitcoverproducts.com](mailto:info@mullitcoverproducts.com)

Patent No. 8,572,914 & 8,782,977