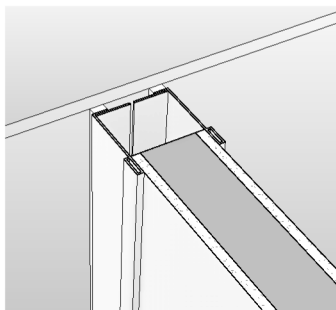
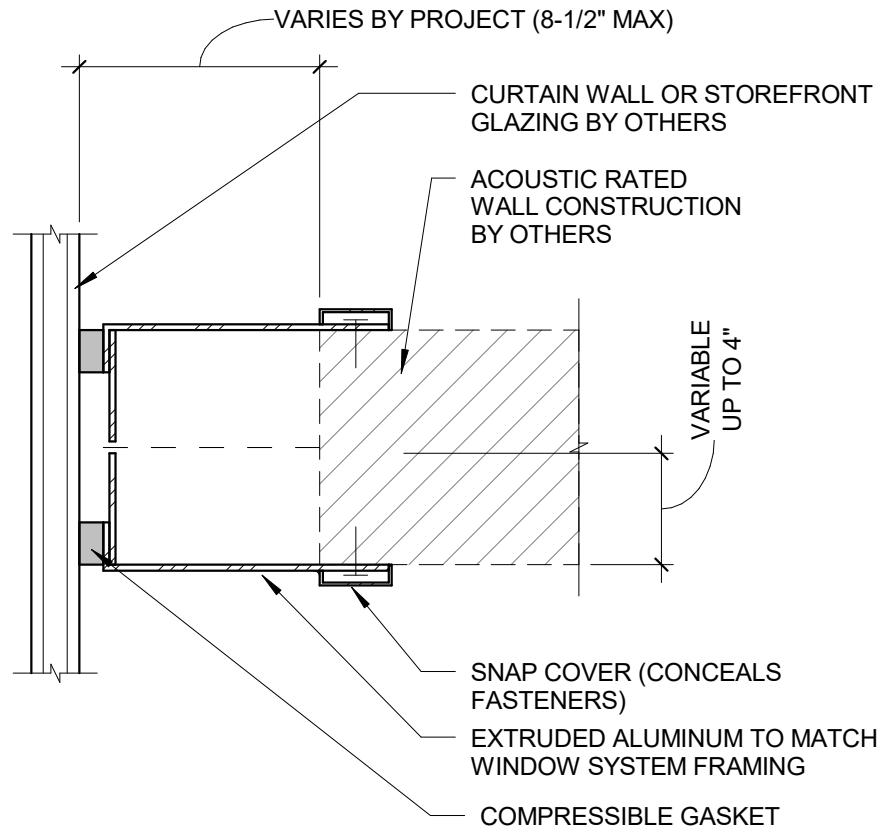


# MULL(it)OVER



3D VIEW

**NOTE:**

FOR LO-RISE CONSTRUCTION ONLY.  
CONTACT MULL IT OVER FOR MORE  
INFORMATION

**55 WIDE (AT NO WINDOW MULLION)**

SCALE: 3" = 1'-0"

MULL IT OVER PRODUCTS  
(616) 730-2162

[www.mullitoverproducts.com](http://www.mullitoverproducts.com)  
[info@mullitoverproducts.com](mailto:info@mullitoverproducts.com)

Patent No. 8,572,914 & 8,782,977