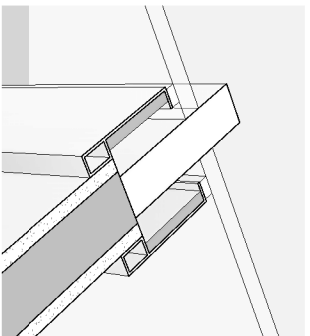
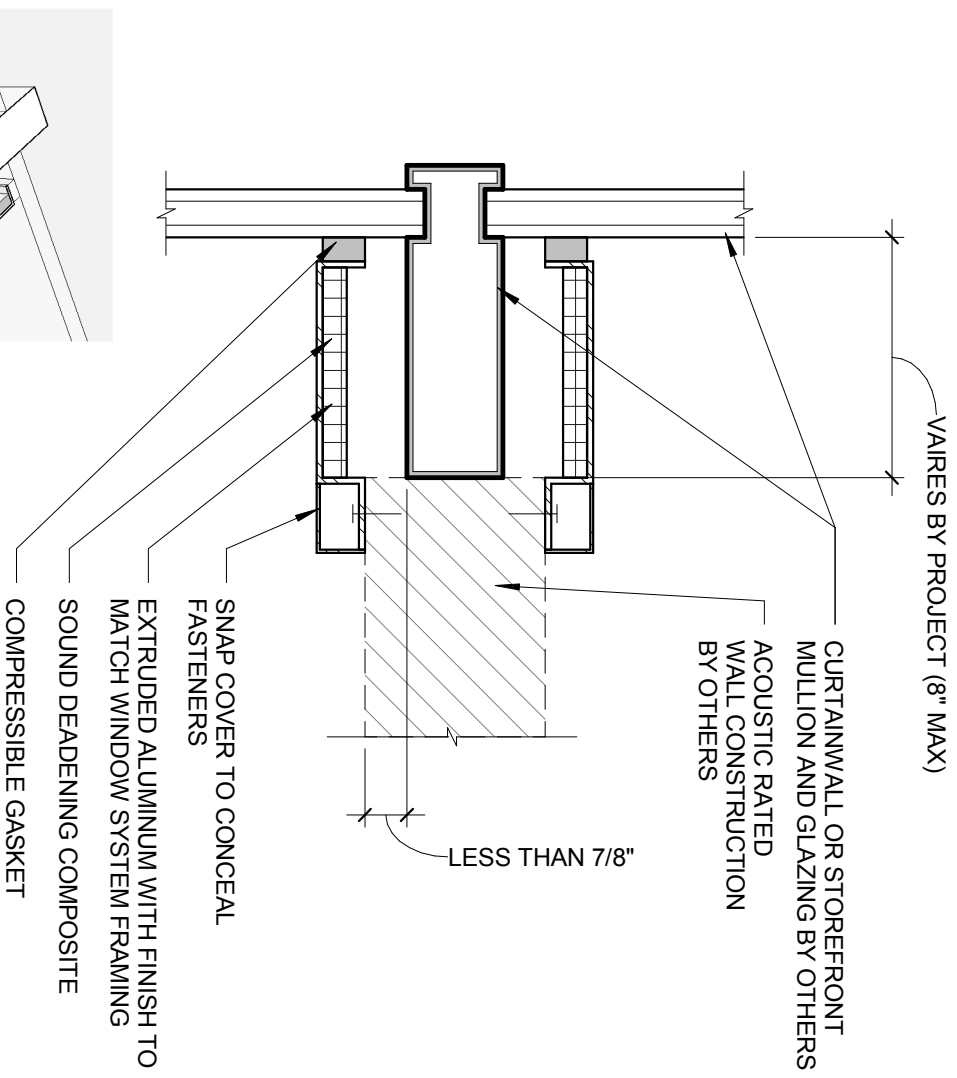


MULLITCOVER



3D VIEW

60 FLUSH

SCALE: 3" = 1'-0"

MULLITCOVER PRODUCTS
(616) 730-2162

www.mullitcoverproducts.com
info@mullitcoverproducts.com

Patent No. 8,572,914 & 8,782,977